

Model MD-AP



CE

MID
Approved

OIML-R49
Certified

Multi-jet Dry Type Vane Wheel Water Meter

- It is a multi-jet super dry water meter for residential application in sizes 15mm-50mm for cold water.

Features

- Magnetic Drive, lower transmission resistance
- Magnetic Shield, for external magnetic field protection
- Sealed dry dial register ensures clear reading
- Plastic meter body and plastic ring
- External regulating device

Standards Compliance

- Directive 2014/32/EU on measuring instruments;
- the European Standard EN14154+A1+A2:Water Meter;
- the International Organization of Legal Metrology OIML R-49: 2013(E)

Optional Features

- Several lengths and connections available on request
- Non return Valve
- Reed switch option

Working Conditions

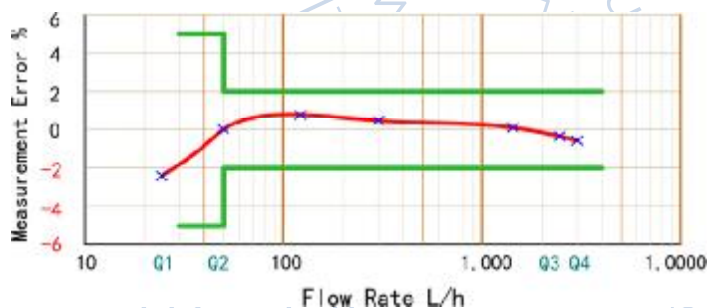
- Water temperature: $\leq 50^{\circ}\text{C}$ for cold water meter
- Water pressure: $\leq 1.6\text{MPa}$ (16bars)

Accessories

2pcs couplings, 2pcs coupling nuts and 2pcs washers.

Maximum Permissible Error

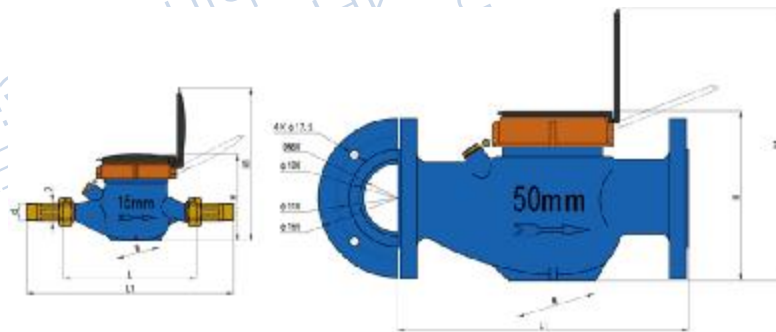
- In the lower zone from Q1 inclusive up to but excluding Q2 is $\pm 5\%$.
- In the upper zone from Q2 inclusive up to and including Q4 is $\pm 2\%$.



Ningbo AIMI Meter Manufacture Co.,Ltd.
www.chinaaimi.com
aimi@chinaaimi.com
(86) 574 8863 7838
(86) 574 8863 7968

DN(mm)		15	20	25	32	40	50
Size(inch)		1/2"	3/4"	1"	1-1/4"	1-1/2"	2"
Q4(m ³ /h)		3.125	5	7.875	12.5	20	31.25
Q3(m ³ /h)		2.5	4	6.3	10	16	25
R80	Q2(l/h)	50	80	126	200	320	500
	Q1(l/h)	31.25	50	78.75	125	200	312.5
R100	Q2(l/h)	40	64	100.8	160	256	400
	Q1(l/h)	25	40	63	100	160	250
R125	Q2(l/h)	32	51.2	80.64	128	204.8	320
	Q1(l/h)	20	32	50.4	80	128	200
R160	Q2(l/h)	25	40	63	100	160	250
	Q1(l/h)	15.62	25	39.37	62.5	100	156.2
Max. Reading (m ³)		99999				999999	
Min. Reading (Liter)		0.05					
Max. Pressure (bar)		16					
Pressure Loss (ΔP)		63					
Max. Temperature		T30 or T50					
Pulse Output Option		Vmax=24V, Imax=100mA, Pmax=2W					

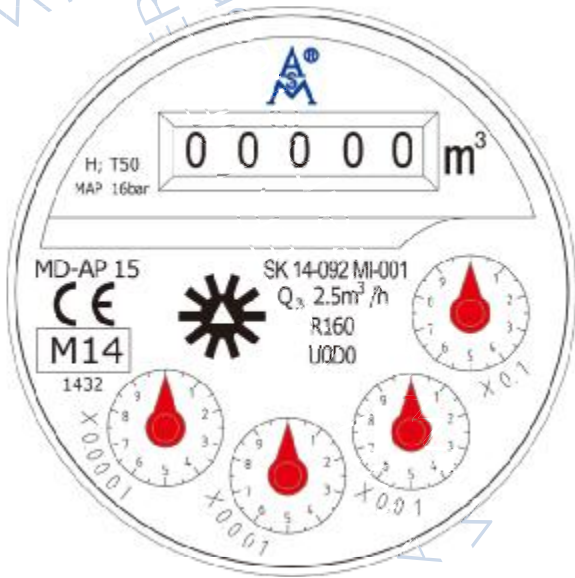
Dimension



DN(mm)	15	20	25	32	40	50	
Size(inch)	1/2"	3/4"	1"	1-1/4"	1-1/2"	2"	
Length(L)	165/190	190	225	230	245	300	
Width(W)	99	99	103	104	124	125	
Height(H)	104	106	114	117	147	172	
Connecting Thread D	G3/4B	G1B	G1-1/4B	G1-1/2B	G2B	G2-1/2B	flange ISO7005



Meter Dial Plate(DN15,R160)



Pulse Output Option

- 1.5m cable with 2 reed switches
- Vmax=24V, Imax=100mA, Pmax=2W



Magnet Position	Liter/Pulse
×0,0001	1
×0,001	10
×0,01	100
×0,1	1000

Exploded View



AIMEI

ASM

Ningbo AIMEI Meter Manufacture Co.,Ltd.
 www.chinaaimeicom
 aimei@chinaaimeicom
 (86) 574 8863 7838
 (86) 574 8863 7968