

Model MD-KP



Multi-jet Dry Type Vane Wheel Water Meter

· It is a multi-jet super dry water meter for residential application in sizes 15mm-20mm for cold water.

Features

- Compact design with smaller plastic meter body
- Copper-can sealed dry register; IP68, 360° rotatable
- Magnetic drive mechanism with anti-magnetic protection
- External regulating device

Standards Compliance

- Directive 2014/32/EU on measuring instruments;
- the European Standard EN14154+A1+A2:Water Meter;
- the International Organization of Legal Metrology OIML R-49: 2013(E)

Optional Features

- Several lengths and connections available on request
- Non return Valve
- Reed switch option

Working Conditions

- Water temperature: $\leq 50^{\circ}\text{C}$ for cold water meter
- Water pressure: $\leq 1.6\text{MPa}$ (16bars)

Accessories

- 2pcs couplings, 2pcs coupling nuts and 2pcs washers.

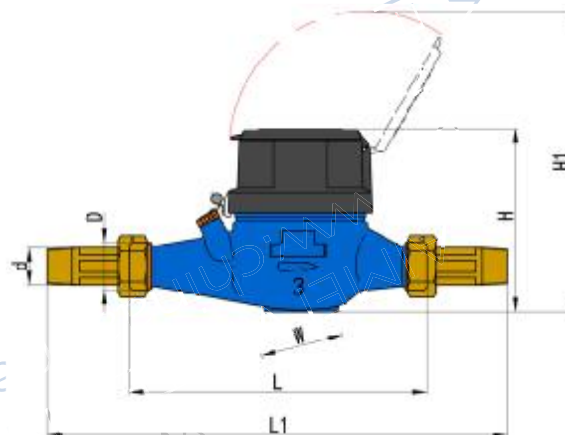
Maximum Permissible Error

- In the lower zone from Q1 inclusive up to but excluding Q2 is $\pm 5\%$.
- In the upper zone from Q2 inclusive up to and including Q4 is $\pm 2\%$.



DN(mm)		15	20
Size(inch)		1/2"	3/4"
Q4(m ³ /h)		3.125	5
Q3(m ³ /h)		2.5	4
R80	Q2(l/h)	50	80
	Q1(l/h)	31.25	50
R100	Q2(l/h)	40	64
	Q1(l/h)	25	40
R125	Q2(l/h)	32	51.2
	Q1(l/h)	20	32
R160	Q2(l/h)	25	40
	Q1(l/h)	15.62	25
Max. Reading (m ³)		9999	
Min. Reading (Liter)		0.05	
Max. Pressure (bar)		16	
Pressure Loss (ΔP)		63	
Max. Temperature		T30 or T50	
Pulse Output Option		V _{max} =24V, I _{max} =100mA, P _{max} =2W	

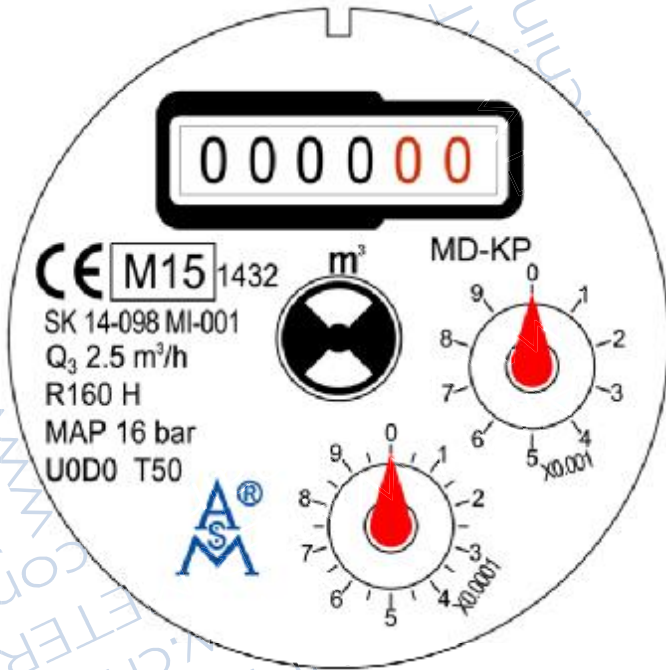
Dimension



DN(mm)	15	20
Size(inch)	1/2"	3/4"
Length(L)	165/190	190
Width(W)	81	81
Height(H)	107	110
Connecting Thread D	G3/4B	G1B



Meter Dial Plate(DN15,R160)



Exploded View

