

Model ML-B



CE

MID
Approved

OIML-R49
Certified

Multi-Jet Liquid Sealed Vane Wheel Water Meter

· It is a liquid sealed water meter for residential application in sizes 15mm-20mm for cold water.

Features

- Mechanical transmission movement equates to maximum reliability
- The chamber of the rollers is liquid filled sealed for protecting the inner parts from the moisture and dust penetration
- Sealed wet dial register
- Internal strainer; inlet strainer
- External regulating device, particularly suited in lower quality water

Standards Compliance

- Directive 2014/32/EU on measuring instruments;
- the European Standard EN14154+A1+A2:Water Meter;
- the International Organization of Legal Metrology OIML R-49: 2013(E)

Optional Features

- Several lengths and connections available on request
- Non return Valve

Working Conditions

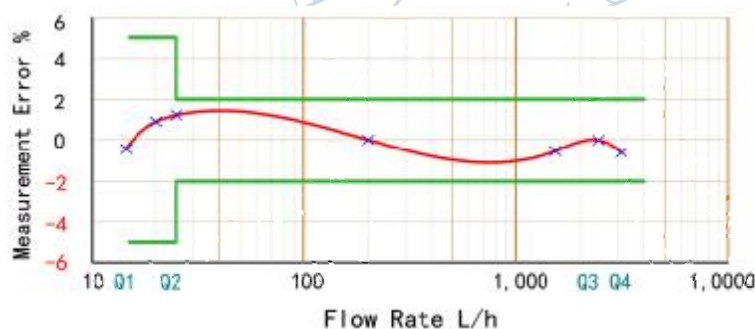
- Water temperature: $\leq 50^{\circ}\text{C}$ for cold water meter
- Water pressure: $\leq 1.6\text{MPa}$ (16bars)

Accessories

- 2pcs couplings, 2pcs coupling nuts and 2pcs washers.

Maximum Permissible Error

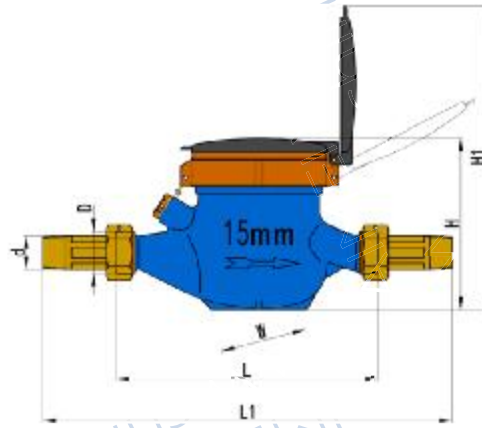
- In the lower zone from Q1 inclusive up to but excluding Q2 is $\pm 5\%$.
- In the upper zone from Q2 inclusive up to and including Q4 is $\pm 2\%$.



Ningbo AIMEL Meter Manufacture Co.,Ltd.
www.chinaaimel.com
aimel@chinaaimel.com
(86) 574 8863 7838
(86) 574 8863 7968

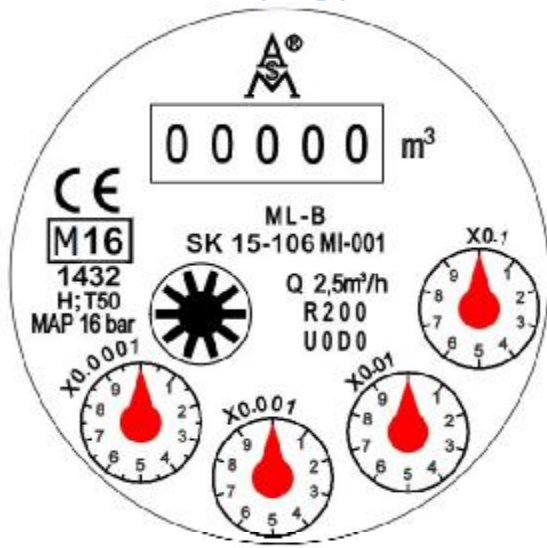
DN(mm)		15	20
Size(inch)		1/2"	3/4"
Q4(m ³ /h)		3.125	5
Q3(m ³ /h)		2.5	4
R100	Q2(l/h)	40	64
	Q1(l/h)	25	40
R125	Q2(l/h)	32	51.2
	Q1(l/h)	20	32
R160	Q2(l/h)	25	40
	Q1(l/h)	15.62	25
R200	Q2(l/h)	20	32
	Q1(l/h)	12.5	20
Max. Reading (m ³)		99999	
Min. Reading (Liter)		0.05	
Max. Pressure (bar)		16	
Pressure Loss (ΔP)		63	
Max. Temperature		T30 or T50	

Dimension



DN(mm)	15	20
Length(L)	110/115/130/165/170/190	130/190
Width(W)	99	99
Height(H)	104	104
Connection Thread	G3/4B	G 1B

Meter Dial Plate(DN15,R200)



Exploded View

