

# Model PD-A



## Volumetric Rotary Piston Water Meter

- It is a volumetric rotary piston water meter for residential application in sizes 15mm-40mm for cold water.

### Features

- Ensures high sensitivity and accurate registration throughout a wide flow range.
- Mechanical transmission movement equates to maximum reliability
- Corrosion resistant body
- Liquid sealed register, easy reading and long time clear reading
- Low starting flow rate
- Internal non return valve, internal strainer
- Install in any position
- Brass meter body

### Standards Compliance

- Directive 2014/32/EU on measuring instruments;
- the European Standard EN14154+A1+A2:Water Meter;
- the International Organization of Legal Metrology OIML R-49: 2013(E)

### Optional Features

- Several lengths and connections available on request
- Reed switch option

### Working Conditions

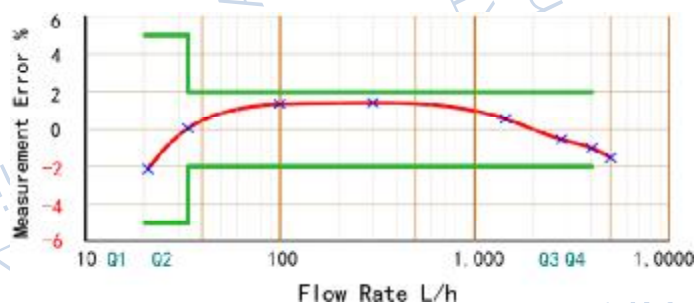
- Water temperature:  $\leq 50$  C for cold water meter
- Water pressure:  $\leq 1.6$ MPa(16bars)

### Accessories

2pcs couplings, 2pcs coupling nuts and 2pcs washers.

### Maximum Permissible Error

- In the lower zone from Q1 inclusive up to but excluding Q2 is  $\pm 5\%$ .
- In the upper zone from Q2 inclusive up to and including Q4 is  $\pm 2\%$ .

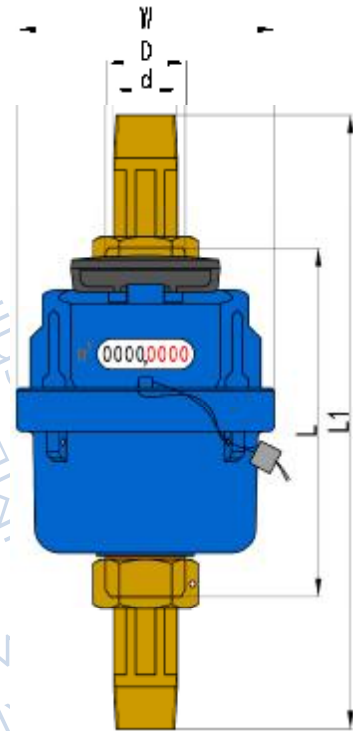


Ningbo AIMEI Meter Manufacture Co.,Ltd.  
www.chinaaime.com  
aime@chinaaime.com  
(86) 574 8863 7838  
(86) 574 8863 7968

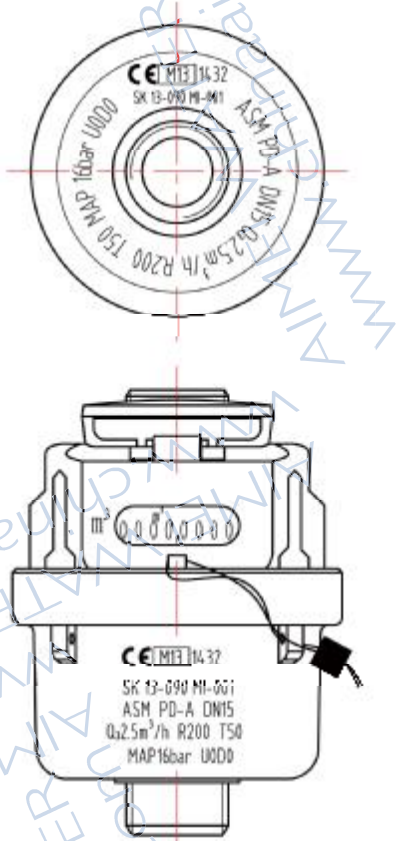
DN(mm)		15	20	25	40
Size(inch)		1/2"	3/4"	1"	1-1/2"
Q4(m <sup>3</sup> /h)		3.125	5	7.875	20
Q3(m <sup>3</sup> /h)		2.5	4	6.3	16
R160	Q2(l/h)	25	40	63	160
	Q1(l/h)	15.62	25	39.37	100
R200	Q2(l/h)	20	32	50.4	128
	Q1(l/h)	12.5	20	31.5	80
Max. Reading (m <sup>3</sup> )		9999			99999
Min. Reading (Liter)		0.02			0.2
Max. Pressure (bar)		16			
Pressure Loss ( $\Delta$ P)		63			
Max. Temperature		T30 or T50			
Pulse Output Option		Vmax=24V, Imax=100mA, Pmax=2W			

### Dimension

DN(mm)	15	20	25	40
Size (inch)	1/2"	3/4"	1"	1-1/2"
Length(L)	115/165	165/190	199	300
Width(W)	85	85	104	175
Connecting Thread D	G3/4B	G1B	G1-1/4B	G2B



## Marking(DN15,R200)



## Pulse Output Option

- 1.5m cable with 1 reed switches
- V<sub>max</sub>=24V, I<sub>max</sub>=100mA, P<sub>max</sub>=2W



Magnet Position	Liter/Pulse
×0,000 l	0.5
×0,001	5

## Exploded View

