

Model PD-AP



Volumetric Rotary Piston Water Meter

- It is a volumetric rotary piston water meter for residential application in sizes 15mm-20mm for cold water.

Features

- Ensures high sensitivity and accurate registration throughout a wide flow range
- Mechanical transmission movement equates to maximum reliability
- Corrosion resistant body
- Liquid sealed register, easy reading and long time clear reading
- Low starting flow rate
- Internal non return valve, internal strainer
- Install in any position
- Plastic meter body

Standards Compliance

- Directive 2014/32/EU on measuring instruments;
- the European Standard EN14154+A1+A2:Water Meter;
- the International Organization of Legal Metrology OIML R-49: 2013(E)

Optional Features

- Several lengths and connections available on request
- Reed switch option

Working Conditions

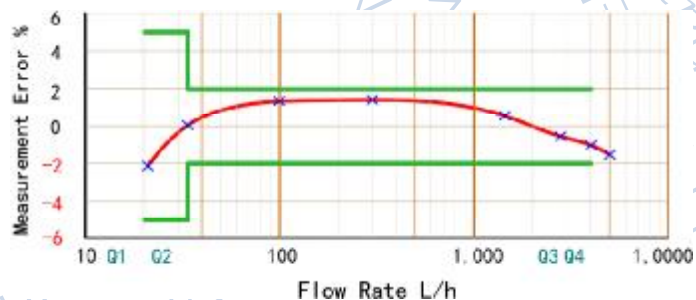
- Water temperature: $\leq 50^{\circ}\text{C}$ for cold water meter
- Water pressure: $\leq 1.6\text{MPa}$ (16bars)

Accessories

2pcs couplings, 2pcs coupling nuts and 2pcs washers.

Maximum Permissible Error

- In the lower zone from Q1 inclusive up to but excluding Q2 is $\pm 5\%$.
- In the upper zone from Q2 inclusive up to and including Q4 is $\pm 2\%$.

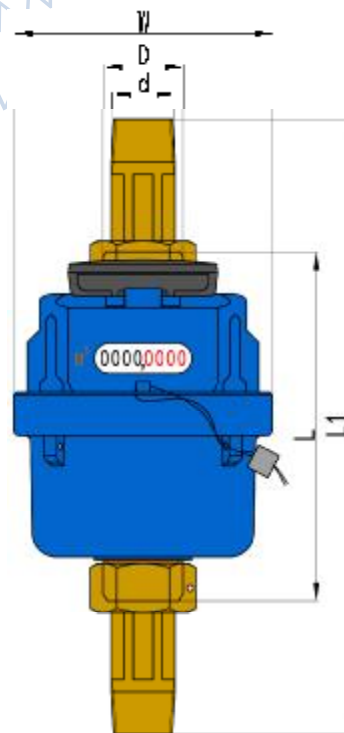


Ningbo AIMEI Meter Manufacture Co.,Ltd.
www.chinaaime.com
aime@chinaaime.com
(86) 574 8863 7838
(86) 574 8863 7968

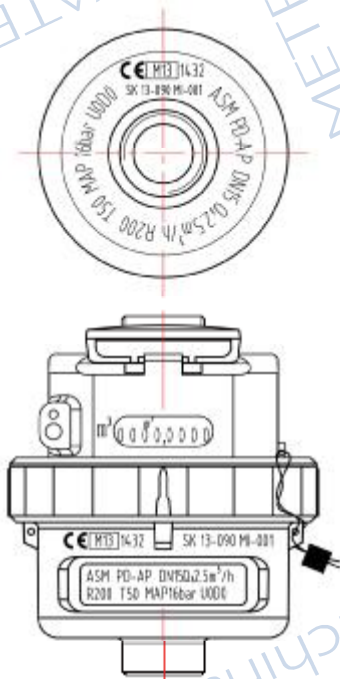
DN(mm)		15	20
Size(inch)		1/2"	3/4"
Q4(m ³ /h)		3.125	5
Q3(m ³ /h)		2.5	4
R160	Q2(l/h)	25	40
	Q1(l/h)	15.62	25
R200	Q2(l/h)	20	32
	Q1(l/h)	12.5	20
Max. Reading (m ³)		9999	
Min. Reading (Liter)		0.02	
Max. Pressure (bar)		16	
Pressure Loss (ΔP)		63	
Max. Temperature		T30 or T50	
Pulse Output Option		V _{max} =24V I _{max} =100mA P _{max} =2W	

Dimension

DN(mm)	15	20
Size(inch)	1/2"	3/4"
Length(L)	165	190
Width(W)	99	99
Connecting Thread D	G3/4B	G1B



Marking(DN15,R200)



Pulse Output Option

- 1.5m cable with 1 reed switches
- $V_{max}=24V$, $I_{max}=100mA$, $P_{max}=2W$



Magnet Position	Liter/Pulse
x0,0001	0.5

Exploded View



AIMEI

ASM

Ningbo AIMEI Meter Manufacture Co.Ltd.
 www.chinaaimei.com
 aimei@chinaaimei.com
 (86) 574 8863 7838
 (86) 574 8863 7968