

Model PD-BP



Volumetric Piston Dry Type Water Meter

- It is a volumetric piston super dry water meter for residential application in sizes 15mm-20mm for cold water.

Features

- Compact piston design, low starting flow rate
- Higher measuring range, up to Q3/Q1: 500.
- Sealed dry dial register ensures clear reading
- Magnetic drive mechanism with anti-magnetic protection
- Plastic meter body and plastic ring
- Installation Position: H/V

Standards Compliance

- Directive 2014/32/EU on measuring instruments;
- the European Standard EN14154+A1+A2:Water Meter;
- the International Organization of Legal Metrology OIML R-49: 2013(E)

Optional Features

- Several lengths and connections available on request
- Non return Valve
- Reed switch option

Working Conditions

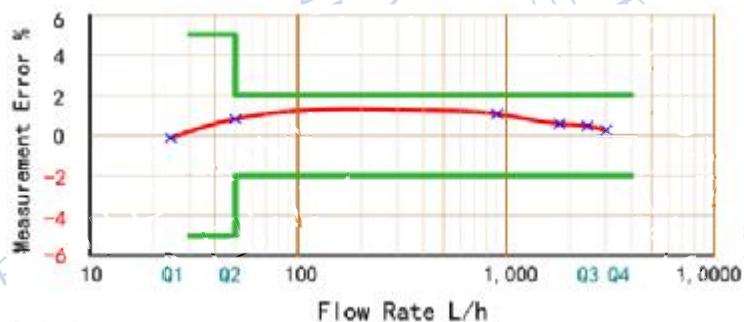
- Water temperature: $\leq 50^{\circ}\text{C}$ for cold water meter
- Water pressure: $\leq 1.6\text{MPa}$ (16bars)

Accessories

- 2pcs couplings, 2pcs coupling nuts and 2pcs washers.

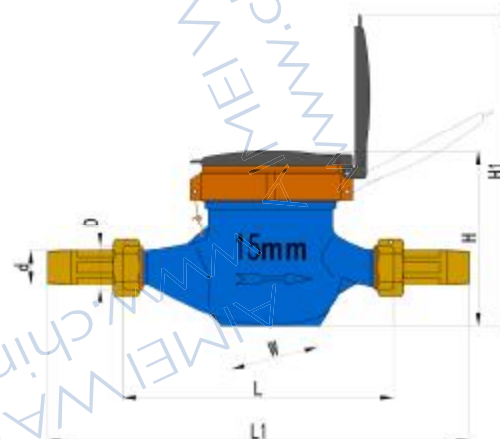
Maximum Permissible Error

- In the lower zone from Q1 inclusive up to but excluding Q2 is $\pm 5\%$.
- In the upper zone from Q2 inclusive up to and including Q4 is $\pm 2\%$.



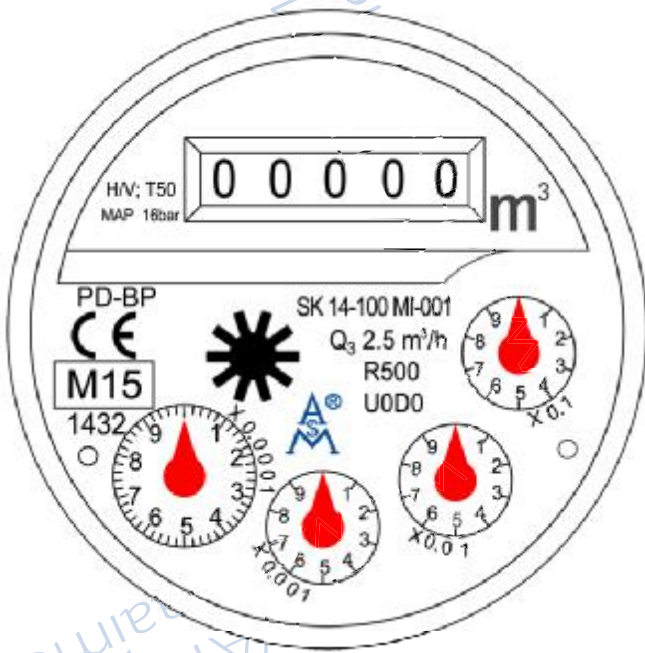
Dimension

| | | | |
|--------------------------------|---------|-------------------------------------|-------|
| DN(mm) | | 15 | 20 |
| Size(inch) | | 1/2" | 3/4" |
| Q4(m ³ /h) | | 3.125 | 5 |
| Q3(m ³ /h) | | 2.5 | 4 |
| R160 | Q2(l/h) | 25 | 40 |
| | Q1(l/h) | 15.62 | 25 |
| R200 | Q2(l/h) | 20 | 32 |
| | Q1(l/h) | 12.5 | 20 |
| R250 | Q2(l/h) | 16 | 25.6 |
| | Q1(l/h) | 10 | 16 |
| R315 | Q2(l/h) | 12.7 | 20.32 |
| | Q1(l/h) | 7.94 | 12.7 |
| R400 | Q2(l/h) | 10 | 16 |
| | Q1(l/h) | 6.2 | 10 |
| R500 | Q2(l/h) | 8 | 12.8 |
| | Q1(l/h) | 5 | 8 |
| Max. Reading (m ³) | | 99999 | |
| Min. Reading (Liter) | | 0.02 | |
| Max. Pressure (bar) | | 16 | |
| Pressure Loss (ΔP) | | 63 | |
| Max. Temperature | | T30 or T50 | |
| Pulse Output Option | | Vmax=24V, Imax=100mA, Pmax=2W | |



| | | |
|---------------------|---------|------|
| DN(mm) | 15 | 20 |
| Size(inch) | 1/2" | 3/4" |
| Length(L) | 165/190 | 190 |
| Width(W) | 99 | 99 |
| Height(H) | 117 | 117 |
| Connecting Thread D | G3/4B | G1B |

Meter Dial Plate(DN15,R500)



Pulse Output Option

- 1.5m cable with 2 reed switches
- Vmax=24V, Imax=100mA, Pmax=2W



| Magnet Position | Liter/Pulse |
|-----------------|-------------|
| x0,0001 | 1 |
| x0,001 | 10 |
| x0,01 | 100 |
| x0,1 | 1000 |

Exploded View

