

Model PD-C



CE

MID
Approved

OIML-R49
Certified

Volumetric Piston Dry Type Water Meter

- It is a volumetric piston super dry water meter for residential application in size 15mm-20mm for cold water

Features

- Compact piston design, low starting flow rate
- Higher measuring range, up to Q3/Q1: 400.
- Sealed dry dial register ensures clear reading, 360° rotatable
- Magnetic drive mechanism with anti-magnetic protection
- Installation Position: any position

Standards Compliance

- Directive 2014/32/EU on measuring instruments;
- the European Standard EN14154+A1+A2: Water Meter;
- the International Organization of Legal Metrology OIML R-49: 2013(E)

Optional Features

- Several lengths and connections available on request
- Non return Valve
- Reed switch option

Working Conditions

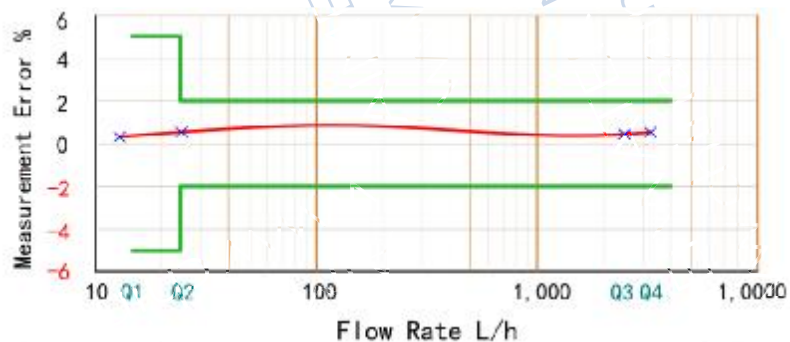
- Water temperature: $\leq 50^{\circ}\text{C}$ for cold water meter
- Water pressure: $\leq 1.6\text{MPa}$ (16bars)

Accessories

- 2pcs couplings, 2pcs coupling nuts and 2pcs washers.

Maximum Permissible Error

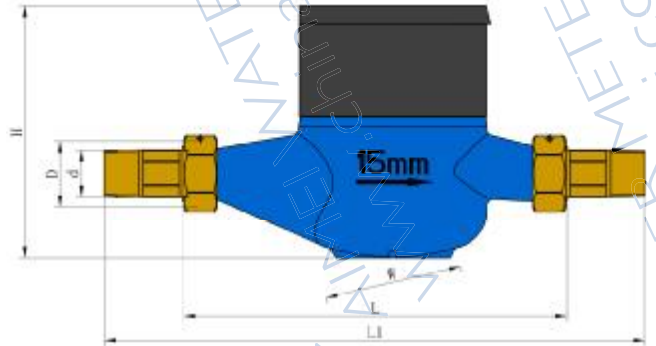
- In the lower zone from Q1 inclusive up to but excluding Q2 is $\pm 5\%$.
- In the upper zone from Q2 inclusive up to and including Q4 is $\pm 2\%$.



Ningbo AIMEL Meter Manufacture Co.Ltd.
www.chinaaimel.com
aimel@chinaaimel.com
(86) 574 8863 7838
(86) 574 8863 7968

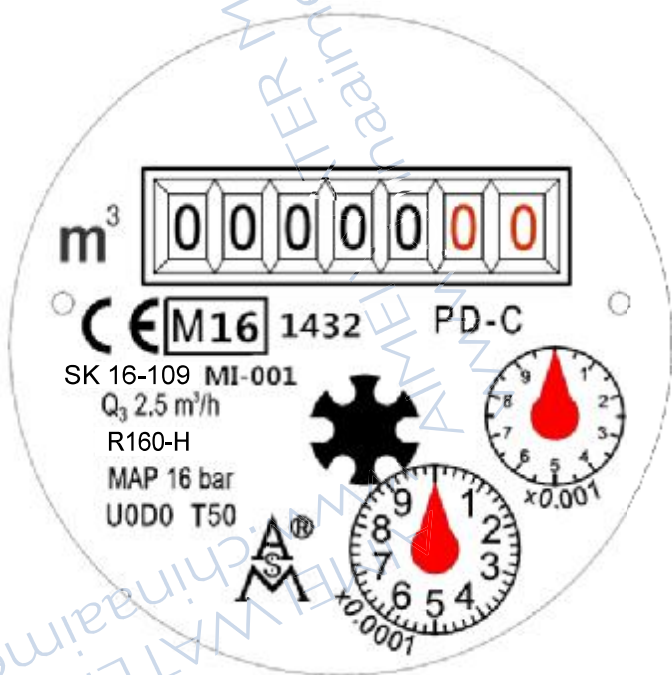
DN(mm)		15	20
Size(inch)		1/2"	3/4"
Q4(m ³ /h)		3.125	5
Q3(m ³ /h)		2.5	4
R200	Q2(l/h)	20	32
	Q1(l/h)	12.5	20
R250	Q2(l/h)	16	25.6
	Q1(l/h)	10	16
R315	Q2(l/h)	12.7	20.3
	Q1(l/h)	7.94	12.7
R400	Q2(l/h)	10	16
	Q1(l/h)	6.2	10
Max. Reading (m ³)		99999	
Min. Reading (Liter)		0.02	
Max. Pressure (bar)		16	
Pressure Loss (ΔP)		63	
Max. Temperature		T30 or T50	
Pulse Output Option		Vmax=24V, Imax=100mA, Pmax=2W	

Dimension



DN(mm)	15	20
Size(inch)	1/2"	3/4"
Length(L)	110/115/130/165/170/190	
Width(W)	83.4	90
Height(H)	110.6	115
Connecting Thread D	G3/4B	G1B

Meter Dial Plate(DN15,R160)



Exploded View

