



Concentric Water Meter

- It is a concentric super dry water meter for residential application in size 15mm for cold water.

Features

- Compact design, low starting flow rate
- Higher measuring range, up to Q3/Q1: 400
- Magnetic drive mechanism with anti-magnetic protection
- Easy for installation and maintenance

Standards Compliance

- Directive 2014/32/EU on measuring instruments;
- the European Standard EN14154+A1+A2: Water Meter;
- the International Organization of Legal Metrology OIML R-49: 2013(E)

Optional Features

- Several lengths and connections available on request
- Non return Valve

Working Conditions

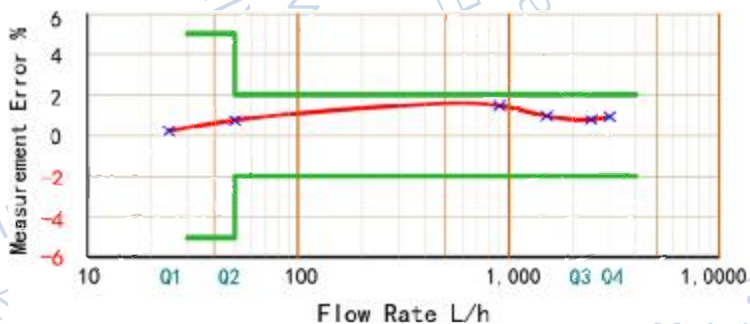
- Water temperature: $\leq 50^{\circ}\text{C}$ for cold water meter
- Water pressure: $\leq 1.6\text{MPa}$ (16bars)

Accessories

- 2pcs couplings, 2pcs coupling nuts and 2pcs washers.

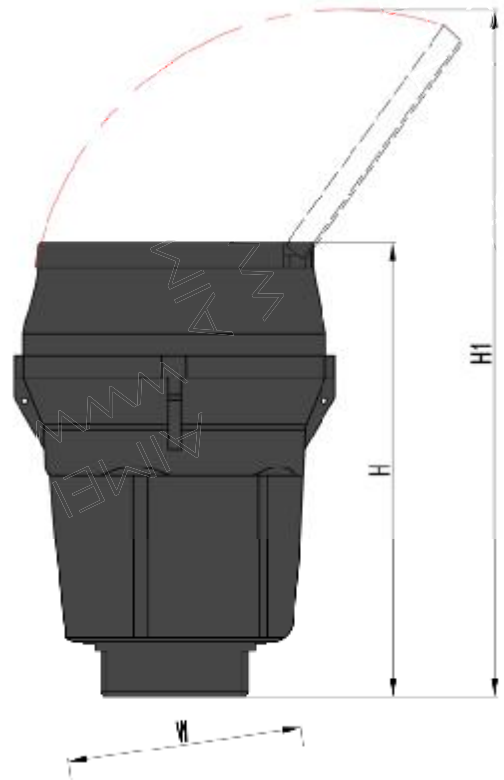
Maximum Permissible Error

- In the lower zone from Q1 inclusive up to but excluding Q2 is $\pm 5\%$.
- In the upper zone from Q2 inclusive up to and including Q4 is $\pm 2\%$.



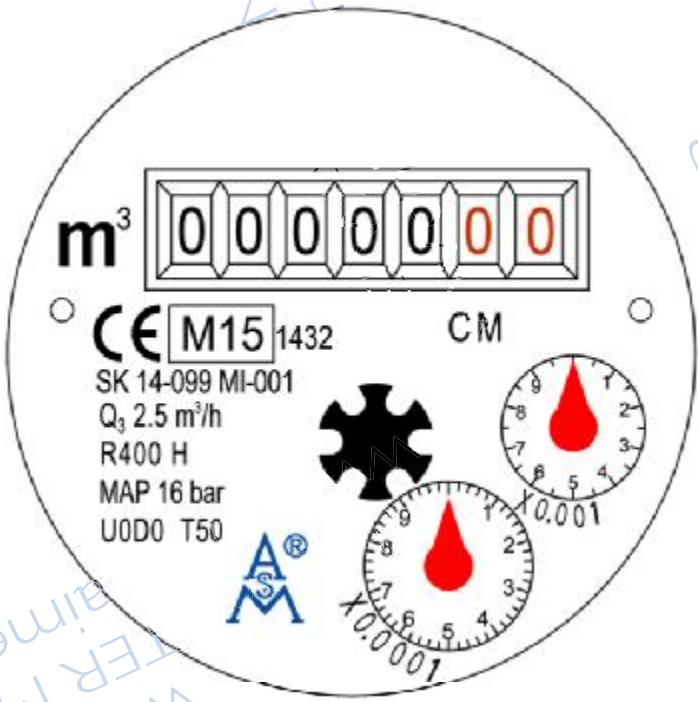
Dimension

DN(mm)	15	
Size(inch)	1/2"	
Q4(m ³ /h)	3.125	
Q3(m ³ /h)	2.5	
R160	Q2(l/h)	25
	Q1(l/h)	15.62
R200	Q2(l/h)	20
	Q1(l/h)	12.5
R250	Q2(l/h)	16
	Q1(l/h)	10
R315	Q2(l/h)	12.7
	Q1(l/h)	7.94
R400	Q2(l/h)	10
	Q1(l/h)	6.2
Max. Reading (m ³)	99999	
Min. Reading (Liter)	0.02	
Max. Pressure (bar)	16	
Pressure Loss (ΔP)	63	
Max. Temperature	T30 or T50	
Pulse Output Option	Vmax=24V, Imax=100mA, Pmax=2W	



DN(mm)	15
Size(Inch)	1/2"
Width(W)	104
Height(H)	141
Connecting Thread D	GI-1/2B

Meter Dial Plate(DN15,R400)



Exploded View



Ningbo AIMEI Meter Manufacture Co.,Ltd.
 www.chinaaimet.com
 aimet@chinaaimet.com
 (86) 574 8863 7838
 (86) 574 8863 7968