

# Model CMI



## Concentric Water Meter

- It is a concentric super dry water meter for residential application in size I 5mm for cold water.

### Features

- Compact design, low starting flow rate
- Higher measuring range, up to Q3/Q1: 400
- Magnetic drive mechanism with anti-magnetic protection
- Easy for installation and maintenance

### Standards Compliance

- Directive 2014/32/EU on measuring instruments;
- the European Standard EN14154+A1+A2:Water Meter;
- the International Organization of Legal Metrology OIML R-49: 2013(E)

### Optional Features

- Several lengths and connections available on request
- Non return Valve

### Working Conditions

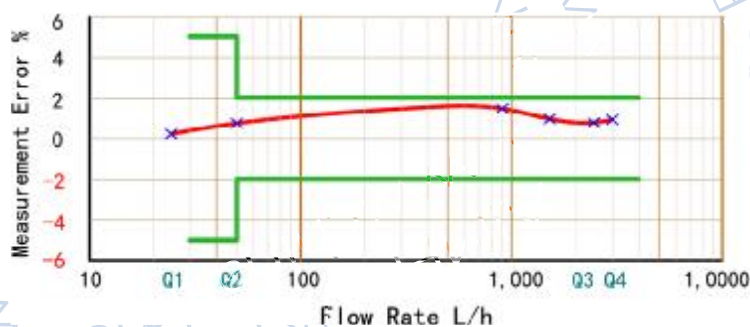
- Water temperature:  $\leq 50^{\circ}\text{C}$  for cold water meter
- Water pressure:  $\leq 1.6\text{MPa}$ (16bars)

### Accessories

- 2pcs couplings, 2pcs coupling nuts and 2pcs washers.

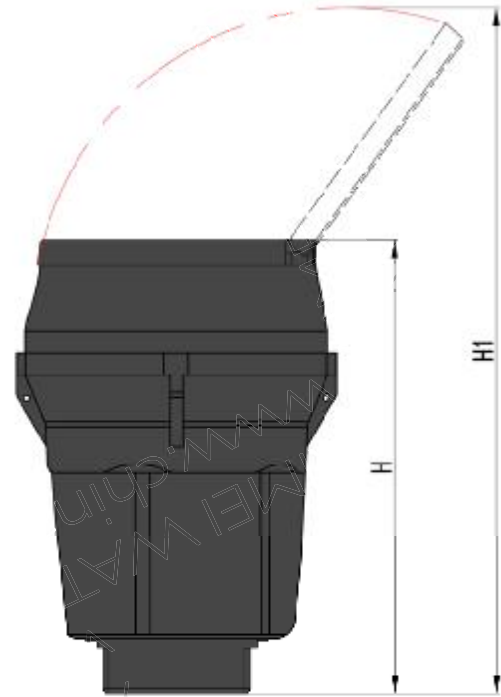
### Maximum Permissible Error

- In the lower zone from Q1 inclusive up to but excluding Q2 is  $\pm 5\%$ .
- In the upper zone from Q2 inclusive up to and including Q4 is  $\pm 2\%$ .



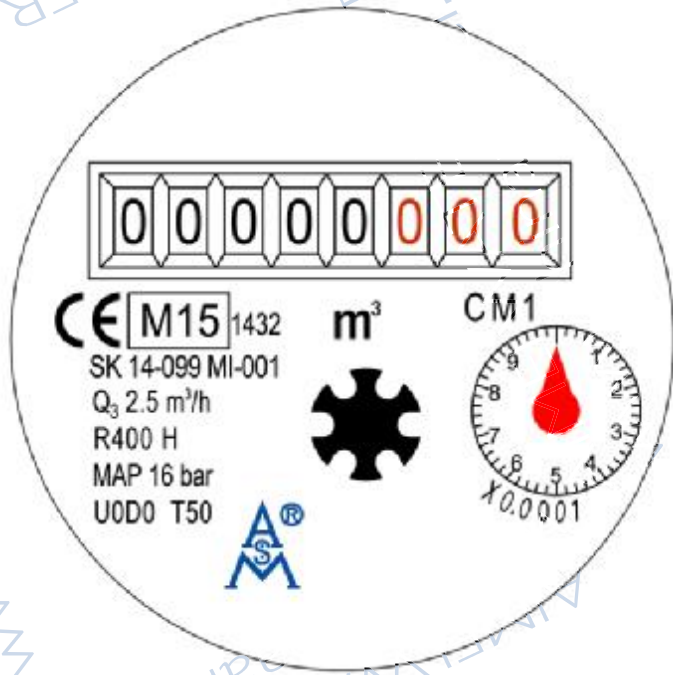
DN(mm)		15
Size(inch)		1/2"
Q4(m <sup>3</sup> /h)		3.125
Q3(m <sup>3</sup> /h)		2.5
R160	Q2(l/h)	25
	Q1(l/h)	15.62
R200	Q2(l/h)	20
	Q1(l/h)	12.5
R250	Q2(l/h)	16
	Q1(l/h)	10
R315	Q2(l/h)	12.7
	Q1(l/h)	7.94
R400	Q2(l/h)	10
	Q1(l/h)	6.2
Max. Reading (m <sup>3</sup> )		99999
Min. Reading (Liter)		0.02
Max. Pressure (bar)		16
Pressure Loss ( $\Delta P$ )		63
Max. Temperature		T30 or T50
Pulse Output Option		V <sub>max</sub> =24V, I <sub>max</sub> =100mA, P <sub>max</sub> =2W

### Dimension



DN(mm)	15
Size(inch)	1/2"
Width(W)	104
Height(H)	141
Connecting Thread D	G1-1/2B

## Meter Dial Plate(DN15,R400)



## Exploded View

