

# Model SD-A



## Single Jet Dry Type Vane Wheel Water Meter

- It is a single jet super dry water meter for residential application in sizes 15mm-20mm for cold water.

### Features

- Magnetic drive, lower transmission resistance
- Magnetic shield, for external magnetic field protection
- Sealed dry register ensures long time clear reading
- Internal regulating device

### Standards Compliance

- Directive 2014/32/EU on measuring instruments;
- the European Standard EN14154+A1+A2:Water Meter;
- the International Organization of Legal Metrology OIML R-49: 2013(E)

### Optional Features

- Several lengths and connections available on request
- Non return Valve
- Reed switch option

### Working Conditions

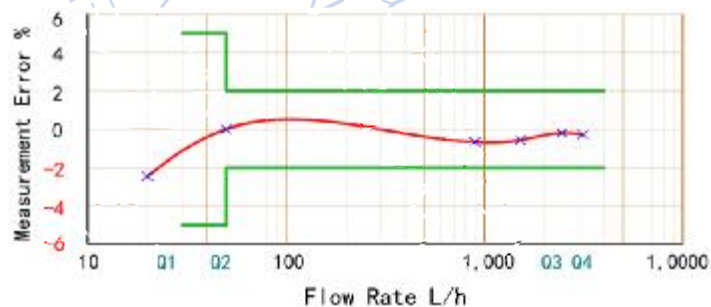
- Water temperature:  $\leq 50^{\circ}\text{C}$  for cold water meter
- Water pressure:  $\leq 1.6\text{MPa}$ (16bars)

### Accessories

- 2pcs couplings, 2pcs coupling nuts and 2pcs washers.

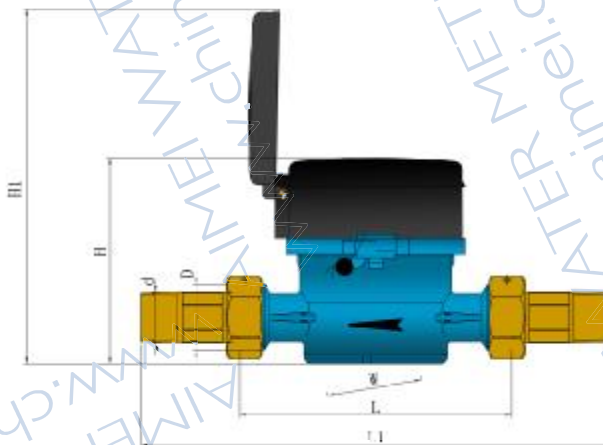
### Maximum Permissible Error

- In the lower zone from Q1 inclusive up to but excluding Q2 is  $\pm 5\%$ .
- In the upper zone from Q2 inclusive up to and including Q4 is  $\pm 2\%$ .



DN(mm)		15	20
Size(inch)		1/2"	3/4"
Q4(m <sup>3</sup> /h)		3.125	5
Q3(m <sup>3</sup> /h)		2.5	4
R80	Q2(l/h)	50	80
	Q1(l/h)	31.25	50
R100	Q2(l/h)	40	64
	Q1(l/h)	25	40
R125	Q2(l/h)	32	51.2
	Q1(l/h)	20	32
R160	Q2(l/h)	25	40
	Q1(l/h)	15.62	25
Max. Reading (m <sup>3</sup> )		9999	
Min. Reading (Liter)		0.05	
Max. Pressure (bar)		16	
Pressure Loss ( $\Delta P$ )		63	
Max. Temperature		T30 or T50	
Pulse Output Option		Vmax=24V, Imax=100mA, Pmax=2W	

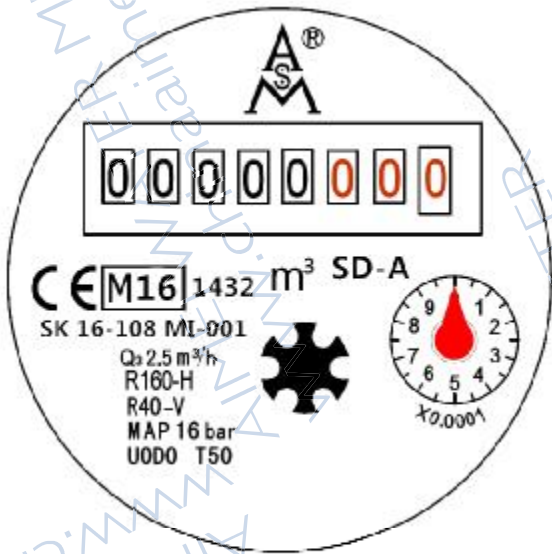
## Dimension



DN(mm)	15	20
Length(L)	110/115/130/165	130/165/190
Width(W)	77	77
Height(H)	85	85
Connection Thread	G3/4B	G 1B



## Meter Dial Plate(DN15,R160)



### Pulse Output Option

- 1.5m cable with 2 reed switches
- V<sub>max</sub>=24V, I<sub>max</sub>=100mA, P<sub>max</sub>=2W



## Exploded View



Magnet Position	Liter/Pulse
×0.0001	1
×0.001	10

