

Model SD-BI



Single Jet Dry Type Vane Wheel Water Meter

- It is a single jet super dry water meter for residential application in sizes 15mm-20mm for cold water.

Features

- Magnetic drive, lower transmission resistance
- Magnetic shield, for external magnetic field protection
- 45° inclined register; hot wire tamper proof
- External regulating device

Standards Compliance

- Directive 2014/32/EU on measuring instruments;
- the European Standard EN14154+A1+A2:Water Meter;
- the International Organization of Legal Metrology OIML R-49: 2013(E)

Optional Features

- Several lengths and connections available on request
- Non return Valve
- Reed switch option

Working Conditions

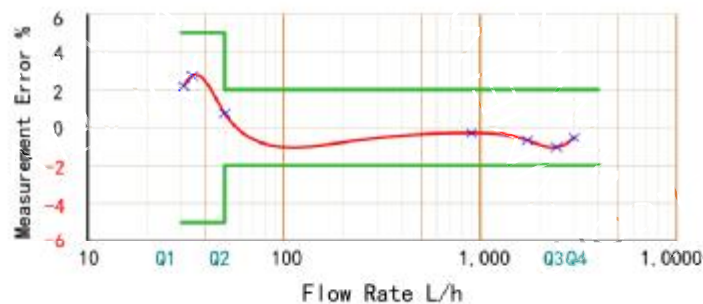
- Water temperature: $\leq 50^{\circ}\text{C}$ for cold water meter
- Water pressure: $\leq 1.6\text{MPa}$ (16bars)

Accessories

- 2pcs couplings, 2pcs coupling nuts and 2pcs washers.

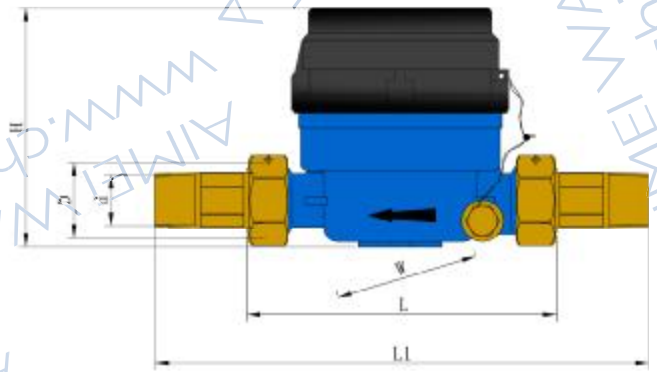
Maximum Permissible Error

- In the lower zone from Q1 inclusive up to but excluding Q2 is $\pm 5\%$.
- In the upper zone from Q2 inclusive up to and including Q4 is $\pm 2\%$.



DN(mm)		15	20
Size(inch)		1/2"	3/4"
Q4(m ³ /h)		3.125	5
Q3(m ³ /h)		2.5	4
R80	Q2(l/h)	50	80
	Q1(l/h)	31.25	50
R100	Q2(l/h)	40	64
	Q1(l/h)	25	40
R125	Q2(l/h)	32	51.2
	Q1(l/h)	20	32
R160	Q2(l/h)	25	40
	Q1(l/h)	15.62	25
Max. Reading (m ³)	9999		
Min. Reading (Liter)	0.05		
Max. Pressure (bar)	16		
Pressure Loss (ΔP)	63		
Max. Temperature	T30 or T50		
Pulse Output Option	V _{max} =24V, I _{max} =100mA, P _{max} =2W		

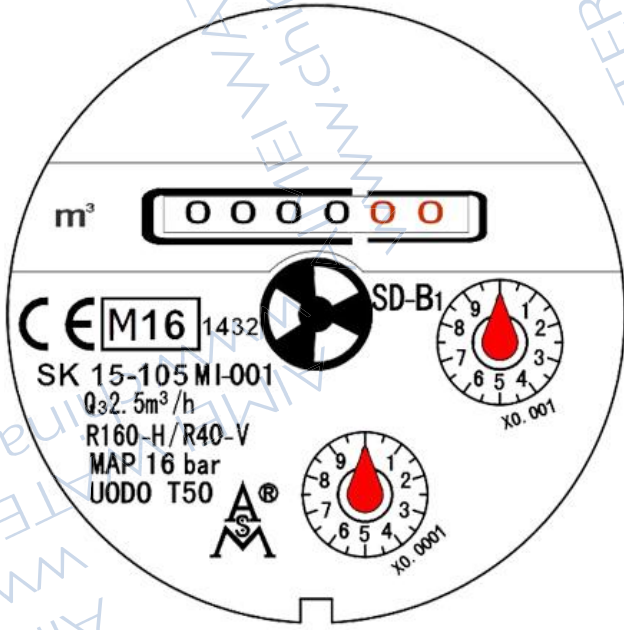
Dimension



DN(mm)	15	20
Length(L)	110/115/130/165	130/165/190
Width(W)	90	90
Height(H)	100	100
Connection Thread	G3/4B	G 1B

Meter Dial Plate(DN15,R160)

Exploded View

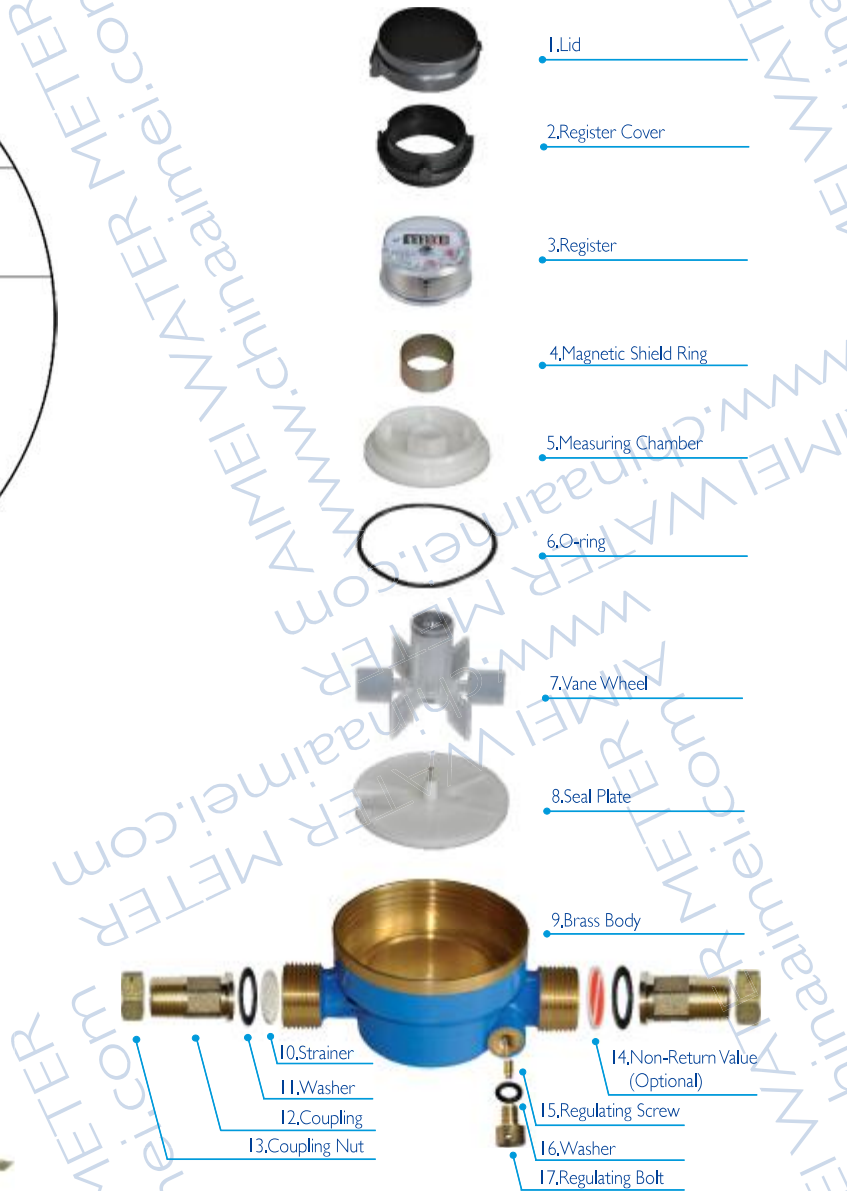


Pulse Output Option

- 1.5m cable with 2 reed switches
- $V_{max}=24V$, $I_{max}=100mA$, $P_{max}=2W$



Magnet Position	Liter/Pulse
x0,001	10



AIMET

ASM

Ningbo AIMET Meter Manufacture Co.,Ltd.
 www.chinaaimet.com
 aimet@chinaaimet.com
 (86) 574 8863 7838
 (86) 574 8863 7968