

Model MD-KI



CE

MID
Approved

OIML-R49
Certified

Multi-jet Dry Type Vane Wheel Water Meter

- It is a multi-jet super dry water meter for residential application in sizes 15mm-20mm for cold water.

Features

- Compact design with smaller meter body.
- 45° inclined register, hot wire tamper proof.
- Magnetic drive mechanism with anti-magnetic protection
- External regulating device

Standards Compliance

- Directive 2014/32/EU on measuring instruments;
- the European Standard EN 14154+A1+A2: Water Meter;
- the International Organization of Legal Metrology OIML R-49: 2013(E)

Optional Features

- Several lengths and connections available on request
- Non return Valve
- Reed switch option

Working Conditions

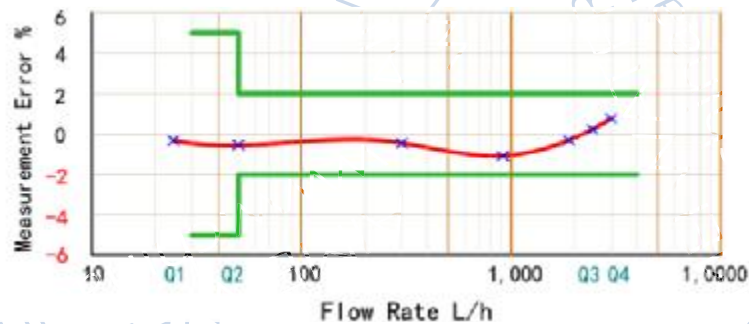
- Water temperature: $\leq 50^{\circ}\text{C}$ for cold water meter
- Water pressure: $\leq 1.6\text{MPa}$ (16bars)

Accessories

- 2pcs couplings, 2pcs coupling nuts and 2pcs washers.

Maximum Permissible Error

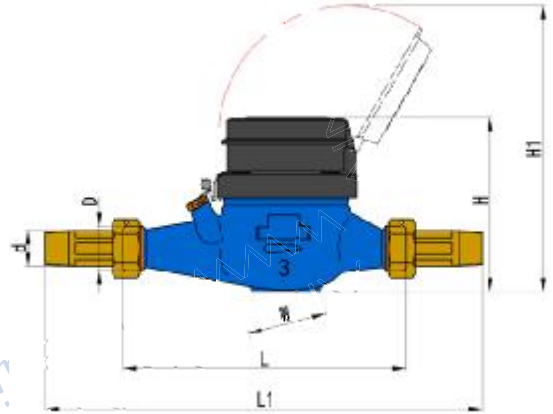
- In the lower zone from Q1 inclusive up to but excluding Q2 is $\pm 5\%$.
- In the upper zone from Q2 inclusive up to and including Q4 is $\pm 2\%$.



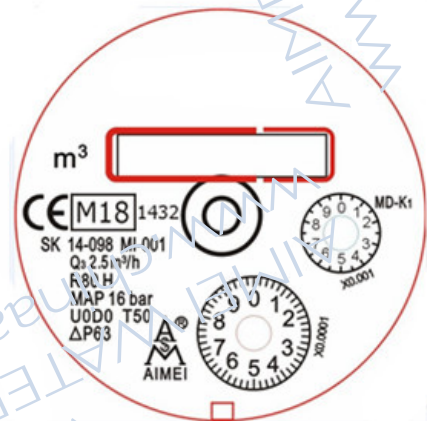
Ningbo AIMEI Meter Manufacture Co.,Ltd.
www.chinaaimeimei.com
aimeimei@chinaaimeimei.com
(86) 574 8863 7838
(86) 574 8863 7968

| | | | |
|--------------------------------|-------------------------------------|-------|------|
| DN(mm) | | 15 | 20 |
| Size(inch) | | 1/2" | 3/4" |
| Q4(m ³ /h) | | 3.125 | 5 |
| Q3(m ³ /h) | | 2.5 | 4 |
| R80 | Q2(l/h) | 50 | 80 |
| | Q1(l/h) | 31.25 | 50 |
| R100 | Q2(l/h) | 40 | 64 |
| | Q1(l/h) | 25 | 40 |
| R125 | Q2(l/h) | 32 | 51.2 |
| | Q1(l/h) | 20 | 32 |
| R160 | Q2(l/h) | 25 | 40 |
| | Q1(l/h) | 15.62 | 25 |
| Max. Reading (m ³) | 9999 | | |
| Min. Reading (Liter) | 0.05 | | |
| Max. Pressure (bar) | 16 | | |
| Pressure Loss (ΔP) | 63 | | |
| Max. Temperature | T30 or T50 | | |
| Pulse Output Option | Vmax=24V, Imax=100mA, Pmax=2W | | |

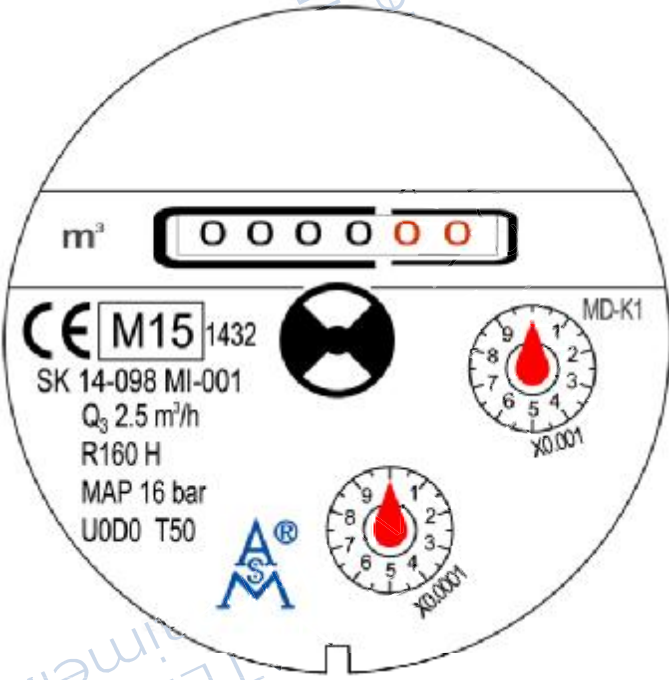
Dimension



| | | |
|---------------------|---------|-------|
| DN(mm) | 15 | 20 |
| Size(inch) | 1/2" | 3/4" |
| Length(L) | 165/190 | 190 |
| Width(W) | 81 | 81 |
| Height(H) | 101.7 | 101.7 |
| Connecting Thread D | G3/4B | G1B |



Meter Dial Plate(DN15,R160)



Pulse Output Option

- 1.5m cable with 2 reed switches
- V_{max}=24V, I_{max}=100mA, P_{max}=2W



| Magnet Position | Liter/Pulse |
|-----------------|-------------|
| x0,000l | l |

Exploded View

