

Model UWM



Ultrasonic Water Meter

UWM is designed to measure the real flow rate and real water passing through the pipeline.

Standards Compliance

ISO4064:2014/ OIML: R49-2013

Feature:

- Ultrasonic water meter, No move part design
- Low starting flow rate
- Horizontal and Vertical installation
- High accuracy level, digital display (6 year battery)
- No air measurement



Long lifetime/stable Accuracy

With innovative design, UWM holds a lifetime of 6+ years. This features a maintenance-free quality in its full life time which can significantly reduce the management works of water supply companies.

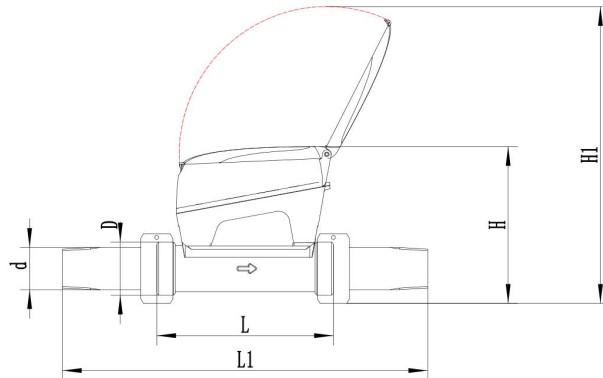
Working Conditions

- Water temperature: $\leq 50^{\circ}\text{C}$ for cold water meter
- Water pressure: $\leq 1.6\text{MPa}$ (16bars)



DN(mm)		15	20
Size(inch)		1/2"	3/4"
Q4(m³/h)		3.125	5
Q3(m³/h)		2.5	4
R250	Q2(1/h)	16	25.6
	Q1(1/h)	10	16
R400	Q2(1/h)	10	16
	Q1(1/h)	6.25	10
Battery		3.6V Li-battery	
EMC		E1	
Environmental Classification		M1	
Protection Class		IP68	
Max. Reading (m³)		99999	
Min. Reading (Liter)		0.01	
Max. Pressure (bar)		16	
Pressure Loss (ΔP)		63	
Max. Temperature		T50	
Communication technology		Wired M-bus Lora/LoraWan NB-IoT	
Pulse Output		1 or 10 or 100 liters/pulse	

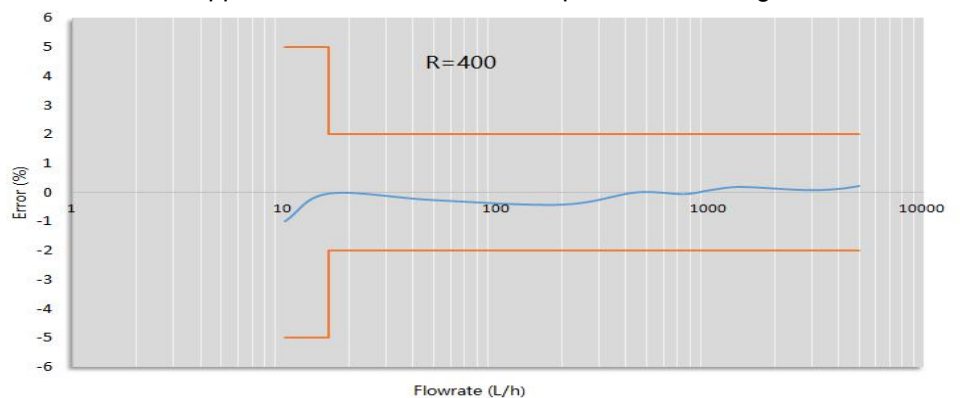
Dimension



DN(mm)	15	20
Size(inch)	1/2"	3/4"
Length(L)	110/165	110/190
Height(H)	94.2	97.5
Connecting Thread D	G3/4B	G1B

Maximum Permissible Error

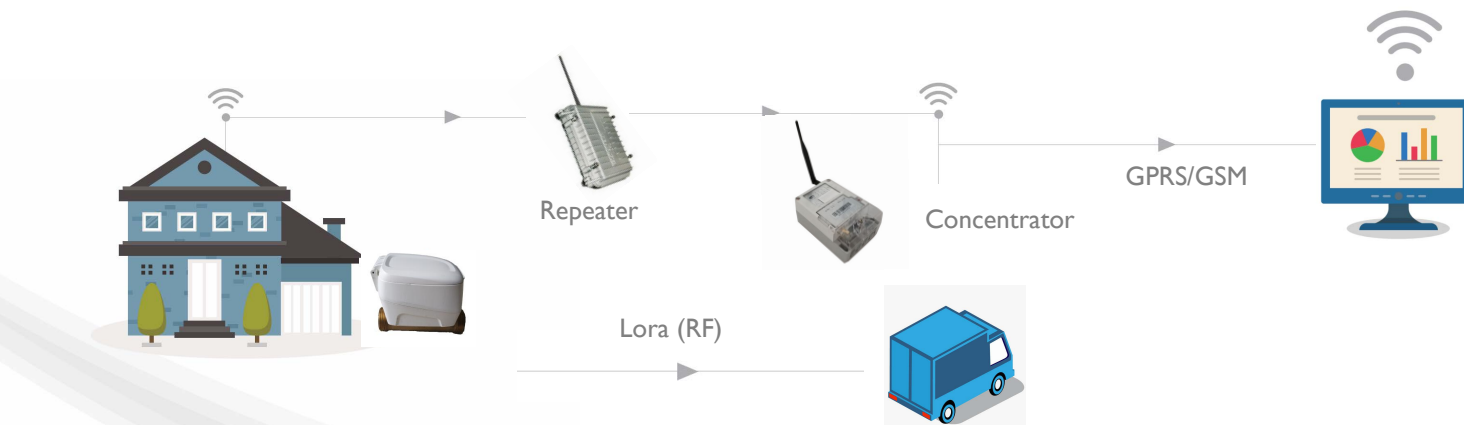
- In the lower zone from Q1 inclusive up to but excluding Q2 is $\pm 5\%$.
- In the upper zone from Q2 inclusive up to and including Q4 is $\pm 2\%$.



AMR Device

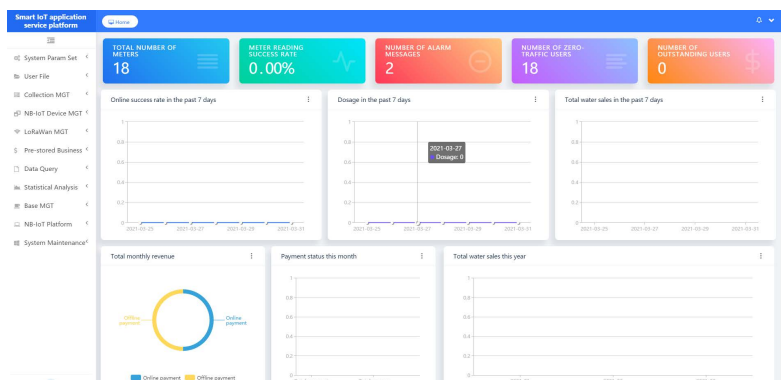
How to Collect data from water meters

Remote reading water meters adopt Lora technology for sending data to Concentrator, and also could receive data walk by.



Data Management Platform

1. Data can be collected by Concentrator (Lora) and operated in Final management software



2. Data can be collected by Handheld and transferred to Final management software or other versions.

The screenshot shows a handheld application interface for a task. The task ID is Task20210326174426. The interface includes a search bar and a table with columns: Total, Success, Failed, and No Read. The table shows 2 Total, 0 Success, 2 Failed, and 0 No Read. There are checkboxes for 'All checked' and a button for 'RF Read'. Below the table, there are two sections for meter information. The first section shows Meter No. 0166223456780, Customer No. 05740002, Customer Name 05740002, Customer Address 902, Meter Reading 100, Read Date 2021-03-26 17:46:58, and Read Status Success. The second section shows Meter No. 0166909090903, Customer No. 05740009, Customer Name 0312, Customer Address, Meter Reading 100, Read Date 2021-03-26 17:51:33, and Read Status Success. Both sections have buttons for 'RF Reading' and 'Manual Reading'.

