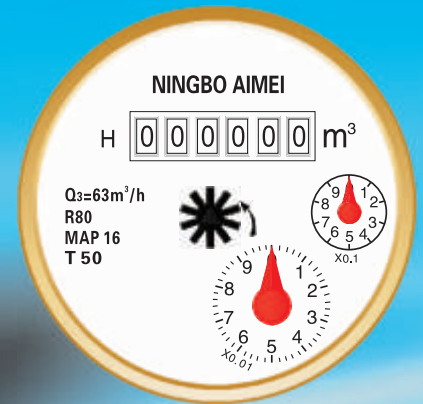




Ningbo Aimei Meter Manufacture Co., Ltd.



LXLC-50A-500A WOLTMAN WATER METER

APPLICATION

Measuring the volume of cold potable water passing through the pipeline

FEATURES

Removable element structure, easy installation and maintenance, long term clear reading, magnetic drive, inter-exchangeable spare parts, low pressure loss, and long working life etc.

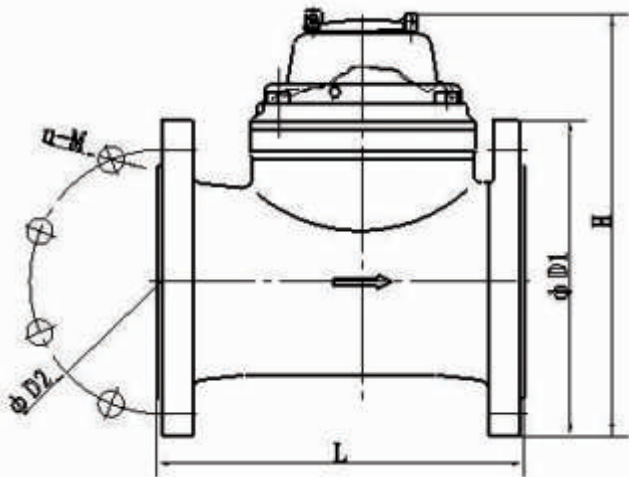
Option: Available with pulse output function .

MAIN TECHNICAL DATA (ISO 4064-1: 2005)

DN Size	mm inch	50 2"	65 2" 1/2	80 3"	100 4"	125 5"	150 6"	200 8"	250 10"	300 12"	400 16"	500 20"
Q4(m ³ /h)		31.25	78.75	78.75	125	200	312.5	500	787.5	1250	2000	3125
Q3(m ³ /h)		25	63	63	100	160	250	400	630	1000	1600	2500
R80	Q2(l/h)	500	1260	1260	2000	3200	5000	8000	12600	20000	32000	50000
	Q1(l/h)	312.5	787.5	787.5	1250	2000	3125	5000	7875	12500	20000	31250
Min. Reading (m3)		0.002	0.002	0.002	0.002	0.002	0.002	0.002	0.002	0.02	1	1
Max. Reading (m3)		999,999						9,999,999	99,999,999			
Max. Pressure(MAP)		16	16	16	16	16	16	16	16	16	16	16
Pressure loss(Δp)		63	63	63	63	63	63	63	63	63	63	63
Max. Temperature		T50 for Cold Water						T90 for Hot Water				
Pulse Output Option		Vmax=24V Imax=100mA Pmax=2W										

DIMENSIONS AND WEIGHTS

Size DN	mm in	50	65	80	100	125	150	200	250	300	400	500
Length(L)		200	200	225	250	250	300	350	450	500	600	800
Height(H)		261	271	279	289	299	319	346	434	459	630	738
Connecting Flange	φ D1 Outside diameter	165	185	200	220	250	285	340	405	460	565	620
	φ D2 Bolt circle diameter	125	145	160	180	210	240	295	355	410	515	570
	Connecting Bolts (n-M)	4-M16	8-M16			8-M20	8-M20 12-M20	12-M20 12-M24	16-M24	20-M24		

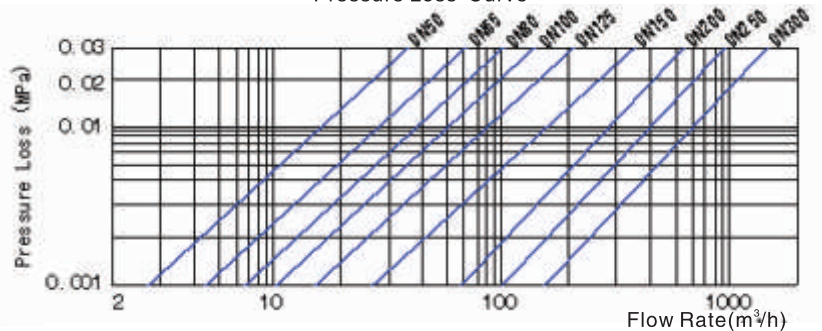
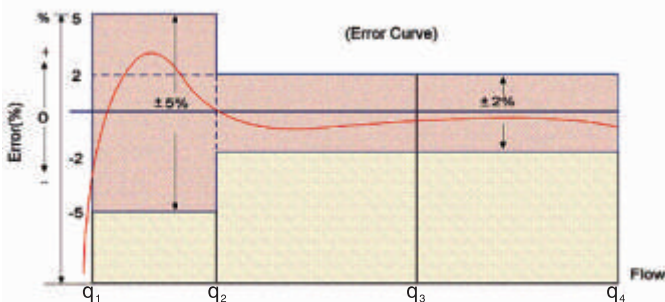


LXLC -50A ~ 500A REMOVABLE ELEMENT WOLTMAN WATER METER

Exploded View



Pressure Loss Curve



Ningbo Aimei Meter Manufacturing Co., Ltd.
 West Road No.68 Shangtian Town, Fenghua, Zhejiang, China-315511
 Tel. 0086-574-88637838 Fax. 0086-574-88637968 E-mail: aimei@chinaaimei.com
 www.chinaaimei.com

AMI Water Meter Option

- Water Meter with AMR device, and then remoter reading every day
- Data is collected and submitted to GPRS concentrator
- GPRS concentrator send data to Management Center
- Battery supply for GPRS concentrator

